

**Description:**

- overflow valve
- angular shape
- metal sealing
- spring-loaded
- flanges acc. to EN1092-1 or ANSI
- inlet: PN16-PN250
- outlet: PN16-PN40
- cone liftable
- proportional control characteristics
- with gas tight cap

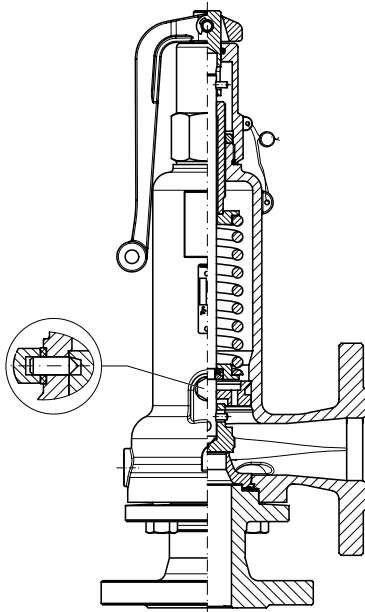
**Range of application:**

- pressure maintenance
- pressure control
- Protection of pumps and plants against high pressures
- fluids and gaseous media
- high flow rate at low pressure differences
- max. permitted medium temperature depending on the design:
  - steel -10°C up to +280°C
  - 10°C up to +350°C from DN32
  - stainless steel -60°C up to +280°C
  - 60°C up to +350°C from DN32

**Comments:**

More **soft sealings** on request. **Higher temperatures** on request.

For **outlet enlargements** please contact us.

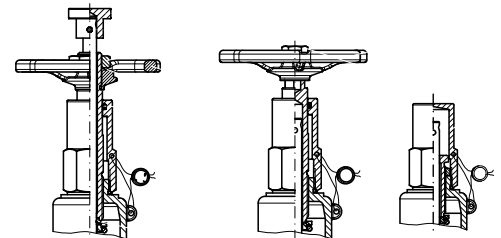


illustrated design with lifting lever

pos.	part	steel/cast steel		stainless steel	options	
1	body	1.0460 / 0.07043	J	1.4571	0	
		1.0619 / 1.0619 from DN32	K			
2	interior	1.4571	O	1.4571	O	
3	sealing	metallic	M	metallic	M	EPDM E FKM V PTFE T

**options:**

- LH: lifting lever
- LK: gas-tight with lifting button
- TH: high / low temperature design



An overview of the complete material code you can find at the beginning of each product section of the product catalogue.

ÜVF03	-	[XX-X/XX-X]	[XOX]	[X]	-	[X]
1		2	3	4		5

**Order information:****1: type: ÜVF03****2: connection size (see table):**

- inlet/outlet: 52-60
- attached is the pressure range

of the flange:

- 1: PN16
- 2: PN25
- 3: PN40
- 4: PN63
- 5: PN100
- 6: PN160
- 7: PN250

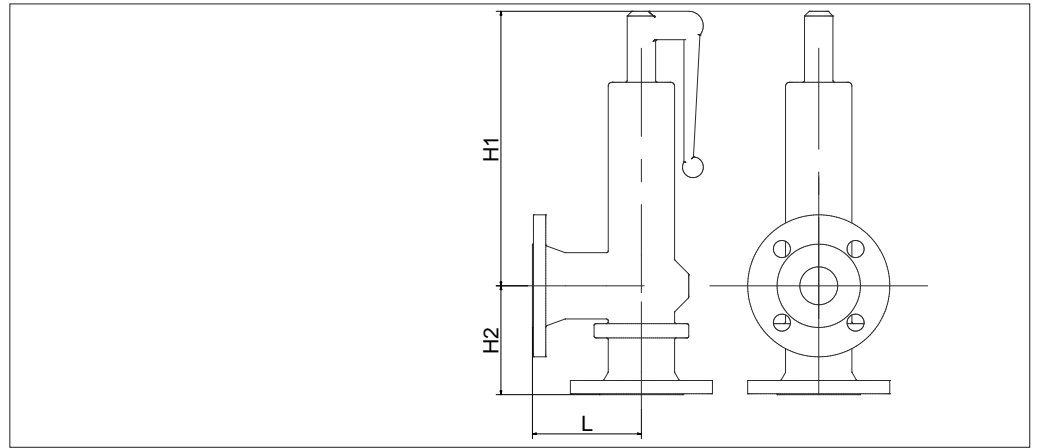
**3: materials:**

- 1. digit: body material
  - J=steel (up to DN15/DN20)
  - K = cast steel (from DN25)
  - O = stainless steel
- 2. digit: interior
  - O = stainless steel
- 3. digit: sealing
  - M=metallic (standard)
  - E=EPDM
  - V=FKM
  - T=PTFE

**4. nominal size in 1/10mm****5: options (see "options")**

Please ask for field specifications that are not listed in this data sheet.

Before installation please consider the installation and maintenance manual, especially the safety indications!



match code	connection size		nominal size [mm]	reaction pressure [bar]		L [mm]	H1 [mm]	H2 [mm]	weight [kg]
	inlet	outlet		min	max				
ÜVF03-52-x/52-x x0x80	DN15	DN15	8	0.1	250	90	268	90	4.3
ÜVF03-52-x/52-x x0x125	DN15	DN15	12.5	0.1	250	90	268	90	4.3
ÜVF03-53-x/53-x x0x125	DN20	DN20	12.5	0.1	40	95	273	95	4.5
ÜVF03-54-x/54-x x0x80	DN25	DN25	8	0.1	250	100	278	100	4.6
ÜVF03-54-x/54-x x0x125	DN25	DN25	12.5	0.1	250	100	278	100	4.6
ÜVF03-54-x/54-x x0x160	DN25	DN25	16	0.1	250	100	278	100	4.6
ÜVF03-54-x/54-x x0x180	DN25	DN25	18	0.1	250	100	278	100	4.6
ÜVF03-55-x/55-x x0x160	DN32	DN32	16	0.1	100	105	375	105	9.6
ÜVF03-55-x/55-x x0x200	DN32	DN32	20	0.1	100	105	375	105	9.6
ÜVF03-55-x/55-x x0x250	DN32	DN32	25	0.1	100	105	375	105	9.6
ÜVF03-56-x/56-x x0x200	DN40	DN40	20	0.1	100	115	385	115	10
ÜVF03-56-x/56-x x0x250	DN40	DN40	25	0.1	100	115	385	115	10
ÜVF03-56-x/56-x x0x320	DN40	DN40	32	0.1	100	115	385	115	10
ÜVF03-57-x/57-x x0x250	DN50	DN50	25	0.1	100	125	430	125	15
ÜVF03-57-x/57-x x0x320	DN50	DN50	32	0.1	100	125	430	125	15
ÜVF03-57-x/57-x x0x400	DN50	DN50	40	0.1	100	125	430	125	15
ÜVF03-58-x/58-x x0x320	DN65	DN65	32	0.1	100	145	450	145	19.3
ÜVF03-58-x/58-x x0x400	DN65	DN65	40	0.1	100	145	450	145	19.3
ÜVF03-58-x/58-x x0x500	DN65	DN65	50	0.1	100	145	450	145	19.3
ÜVF03-59-x/59-x x0x320	DN80	DN80	32	0.25	63	155	620	155	36.8
ÜVF03-59-x/59-x x0x400	DN80	DN80	40	0.25	63	155	620	155	36.8
ÜVF03-59-x/59-x x0x500	DN80	DN80	50	0.25	63	155	620	155	36.8
ÜVF03-59-x/59-x x0x580	DN80	DN80	58	0.25	63	155	620	155	36.8
ÜVF03-60-x/60-x x0x500	DN100	DN100	50	0.25	40	175	650	175	40.5
ÜVF03-60-x/60-x x0x600	DN100	DN100	60	0.25	40	175	650	175	40.5
ÜVF03-60-x/60-x x0x700	DN100	DN100	70	0.25	40	175	650	175	40.5