

ANGULAR SEATED STRAINER



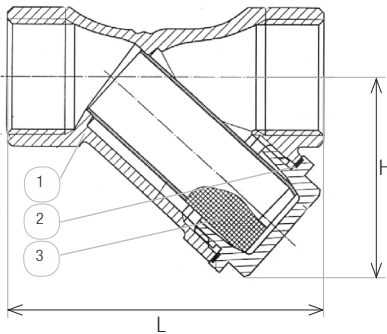
photo with option "nickel plated chemically"

Description:

- angular seated design (Y-type)
- female thread acc. to DIN ISO 228
- defined flow direction (marked on the body with an arrow)
- installation position with filter downward
- free-flow design acc. to DIN-DVGW

Range of application:

- Used as filters in fluids and gases in front of valves for protection from dirt in the medium.
- working pressure:
 - brass: PN16
 - stainless steel: PN40
- medium temperature: -20°C up to +200°C
- mesh size: 500µm up to 750µm
- materials used in accordance with drinking water regulation 2001



options:

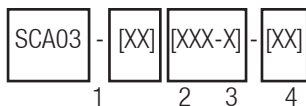
- CV: nickel plated chemically
- FS: fine mesh 250µm
- DS: double mesh

pos.	part	brass		stainless steel	
1	body + cover	CC752 S*	A	1.4408	O
3	sealing	PTFE	T	PTFE	T
2	mesh	1.4301	P	1.4401	O

*Material for the body and cover acc. to EN 1982.

match code	connection size [inch]	type brass: (ATP)					type stainless steel (OTO)				
		working pressure [bar]	L [mm]	H [mm]	weight [kg]	mesh size [µm]	working pressure [bar]	L [mm]	H [mm]	weight [kg]	mesh size [µm]
SCA03-020T0-5	1/4	-	-	-	-	-	0-40	65	48	n/a	500
SCA03-03xTx-5	3/8	0-16	65	n/a	n/a	500	0-40	65	48	n/a	500
SCA03-04xTx-5	1/2	0-16	65	n/a	0.2	500	0-40	65	48	n/a	500
SCA03-05xTx-5	3/4	0-16	75	n/a	0.27	500	0-40	80	55	n/a	500
SCA03-06xTx-5	1	0-16	90	n/a	0.5	500	0-40	90	70	n/a	500
SCA03-07xTx-x	1 1/4	0-16	110	n/a	0.8	750	0-40	105	74	n/a	500
SCA03-08xTx-x	1 1/2	0-16	120	n/a	1.1	750	0-40	120	82	n/a	500
SCA03-09xTx-x	2	0-16	150	n/a	2	750	0-40	140	95	n/a	500
SCA03-10ATP-7,5	2 1/2	0-16	180	n/a	n/a	750	-	-	-	-	-
SCA03-11ATP-7,5	3	0-16	210	n/a	n/a	750	-	-	-	-	-

Order information:



1: type: SCA03

2: connection size (see table): 03-11

3: materials

- 1. digit: body
 - A = brass
 - O = stainless steel
- 2. digit: sealing
 - T = PTFE

- 3. digit: body
 - P = stainless steel V2A
 - O = stainless steel V4A
- attached is the mesh size in 100µm:
 - 5 = 500µm 7,5 = 750µm

4: options (see "options")

Please ask for field specifications that are not listed in this data sheet.

Before installation please consider the installation and maintenance manual, especially the safety indications!