

2-WAY BALL VALVE, MANUALLY OPERATED (GAS)

**Description:**

- 2-pieces body construction
- full passageway
- SKA02: female thread acc. to EN 10226
SKB02: female-male thread acc. to EN10226
- short length of body
- blow out safe, spindle mounted from inside
- alloy hand lever
- any installation position

Range of application:

- gas applications: communal gas, methane gas, liquefied gas
- hot and cold water, compressed air, oils, not corrosive liquids, hydrocarbon
- working pressure: for gas max. PN5 (MOP5), for liquid media from PN50 to PN32 (see pressure temperature diagram)
- temperature range: for gas -20°C up to +60°C, for liquid media: -20°C up to +130°C (see pressure temperature diagram)

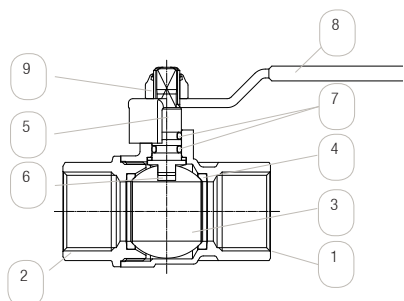
Comments:

Better protection against unintended disengagement of the spindle and the sealing by a blow out protection. No accidental damage from outside possible.

Threads according to EN 10226: It describes the threaded connection of a conical male thread (R) with a parallel female thread (Rp).

CV value: The CV values are suitable for gaseous media.

The ball valves can be sealed on request (without DVGW certificate).

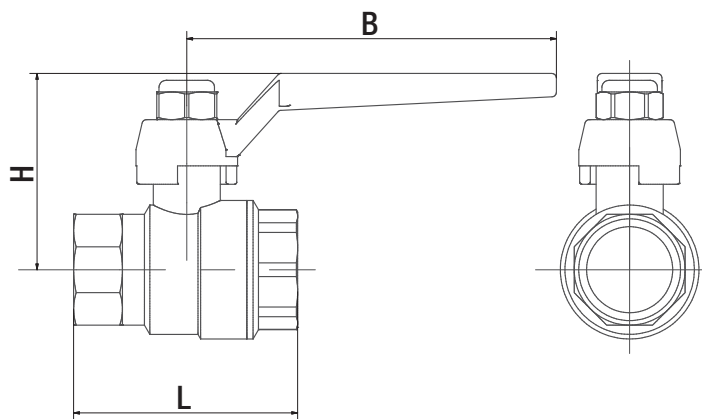


pos.	part	standard material		optional material
1	body	CW617N nickel plated	E	-
2	connector	CW617N nickel plated		-
3	ball	CW614N chromium plated	F	-
4	seat sealing	PTFE	T	-
5	spindle	CW614N		-
6	sealing for spindle	PTFE		-
7	o-ring	HNBR	H	-
8	handle	alloy, yellow		steel, yellow
9	self-locking nut	galvanized steel		-

Notes on the order code, see the end of the data sheet. An overview of the entire material of a key product group, see the catalog at the beginning of each chapter.

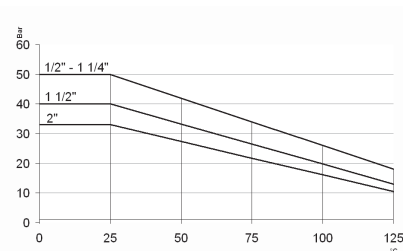
Options:

- HS: steel hand lever
- FL: butterfly handle
- LD: lock device
- OF: free of oil and grease
- SF: free of silicone



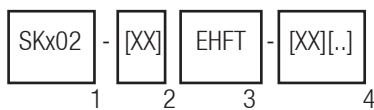
match code	size [inch]	nominal pressure	nominal size [mm]	L [mm]		H [mm]	B [mm]	thread depth [mm]	CV* [m³/h]	weight [kg]
				SKA02	SKB02					
SKx02-04EHFT	1/2	PN50 - MOP5	15	59.5	67	42	95	15	16.45	0.192
SKx02-05EHFT	3/4	PN50 - MOP5	20	70	77.5	50.5	115	16.3	27.5	0.321
SKx02-06EHFT	1	PN50 - MOP5	25	83	89	54.5	115	19.1	44	0.491
SKx02-07EHFT	1 1/4	PN50 - MOP5	32	98.5	103	68.5	150	21.4	76.5	0.922
SKx02-08EHFT	1 1/2	PN40 - MOP5	40	108	113.5	74.5	150	21.4	131.5	1.337
SKx02-09EHFT	2	PN32 - MOP5	50	130	136.5	83.5	170	25.7	214.5	2.3

CV value: The nominal flow rate CV was measured with gaseous media.



Pressure temperature diagram

The pressure temperature diagram refers to the ball valve of this type. If your application has strong temperature variations, you may need additional options like a relief well, to meet the figures. Please tell us your temperature variations with your order.



Order information:

1: type

- SKA02 (female thread)
- SKB02 (female-male thread)

2: connection size: 04-09 (see table)

3: materials:

- 1. digit: body material (brass nickel plated)
- 2. digit: sealing for spindle (HNBR)
- 3. digit: ball material (brass chromium-plated)
- 4. digit: seat sealing (PTFE)

4: options (see "options")

Please ask for field specifications that are not listed in this data sheet.

Before installation please consider the installation and maintenance manual, especially the safety indications!