

2-WAY BALL VALVE, HEAVY-WEIGHT DESIGN

**Description:**

- 2-pieces body construction
- heavy-weight design
- full passageway
- NKA04: female thread acc. to EN10226
- NKB04: female-male thread acc. to EN10226
- blow out safe, spindle mounted from inside
- alloy hand lever
- any installation position

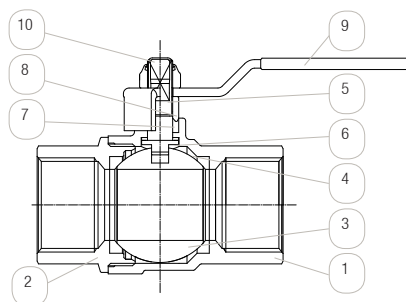
Range of application:

- pressure range: PN16 up to PN80
(see pressure temperature diagram)
- temperature range: -20°C up to +140°C
(see pressure temperature diagram)
- hot and cold water, compressed air, oils, not corrosive liquids, hydrocarbons

Comments:

Better protection against unintended disengagement of the spindle and the sealing by a blow out protection. No accidental damage from outside possible.

Threads according to EN 10226: It describes the threaded connection of a conical male thread (R) with a parallel female thread (Rp).

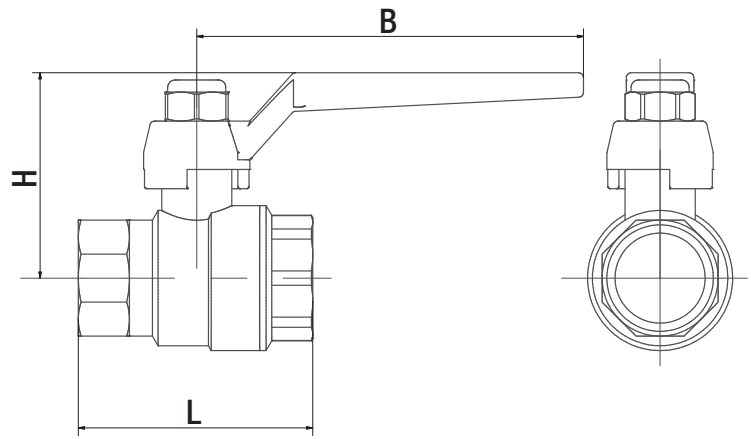


pos.	part	standard material	optional material
1	body	CW617N nickel plated	E -
2	connector	CW617N nickel plated	-
3	ball	CW614N chromium plated	F -
4	seat sealing	PTFE	T -
5	spindle	CW614N	-
6	sealing for spindle	PTFE	T -
7	packing for spindle	PTFE	-
8	gland	CW614N	-
9	handle	alloy	steel
10	self-locking nut	galvanized steel	-

Notes on the order code, see the end of the data sheet. An overview of the entire material of a key product group, see the catalog at the beginning of each chapter.

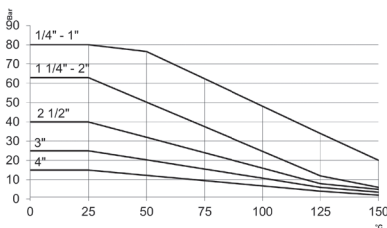
options:

- HS: steel hand lever
- FL: butterfly handle
- HP: planetary gear / hand wheel
- SV: spindle extension
- EB: relief well
- SF: free of silicone
- OF: free of oil and grease



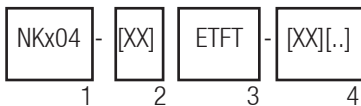
match code	size [inch]	no-nominal pressure	no-nominal size [mm]	L [mm]		H [mm]	B [mm]	thread depth [mm]		CV [m³/h]	weight [kg]	
				NKA04	NKB04			female	male		NKA04	NKB04
NKx04-02ETFT	1/4	PN80	10	47.5	54.5	39.5	80	11	9.7	5.9	0.122	0.137
NKx04-03ETFT	3/8	PN80	10	49.5	56	39.5	80	11.4	10.1	9.4	0.135	0.151
NKx04-04ETFT	1/2	PN80	15	65	70.5	41.5	95	15	13.2	17	0.25	0.25
NKx04-05ETFT	3/4	PN80	20	73.5	79	51	115	16.3	14.5	41	0.38	0.399
NKx04-06ETFT	1	PN80	25	86.5	91	55	115	19.1	16.8	70	0.612	0.617
NKx04-07ETFT	1 1/4	PN64	32	101.5	105	64.5	130	21.4	19.1	121	1.01	1.035
NKx04-08ETFT	1 1/2	PN64	40	111.5	116	75.5	150	21.4	19.1	200	1.579	1.44
NKx04-09ETFT	2	PN64	50	132.5	139	87.5	170	25.7	23.4	292	2.678	2.714
NKx04-10ETFT	2 1/2	PN40	65	158	-	108	170	30.2	-	535	3.484	-
NKx04-11ETFT	3	PN25	80	181.5	-	119.5	235	33.3	-	850	5.634	-
NKx04-12ETFT	4	PN16	100	219	-	142	235	39.3	-	1360	10.64	-

**CV value: The nominal flow rate CVs acc. to VDI/VDE 2173 shows the water quantity in cubic meter per hour with the valve fully opened, Δp=1 and the water temperature between 5°C and 30°C.



Pressure temperature diagram

The pressure temperature diagram refers to the ball valve of this type. If your application has strong temperature variations, you may need additional options like a relief well, to meet the figures. Please tell us your temperature variations with your order.



Order information:

1: type:

- NKA04 (female thread)
- NKB04 (female-male thread)

2: connection size: 02-12 (see table)

3: materials:

- 1. digit: body material (brass nickel plated)
- 2. digit: sealing for spindle (PTFE)
- 3. digit: ball material (brass chromium-plated)
- 4. digit: seat sealing (PTFE)

4: options (see "options")

Please ask for field specifications that are not listed in this data sheet.

Before installation please consider the installation and maintenance manual, especially the safety indications!