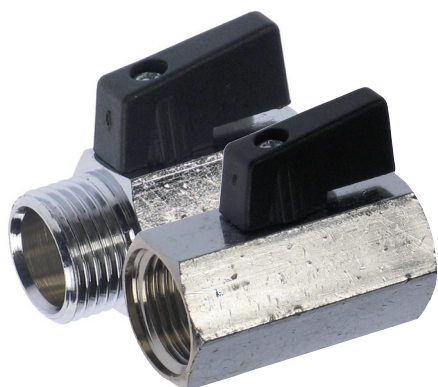


2-WAY MINI BALL VALVE, MANUALLY OPERATED



Description:

- compact body construction
- reduced passageway
- female thread acc. to ISO 228
- blow out safe, spindle mounted from inside
- hand lever
- any installation position

Range of application:

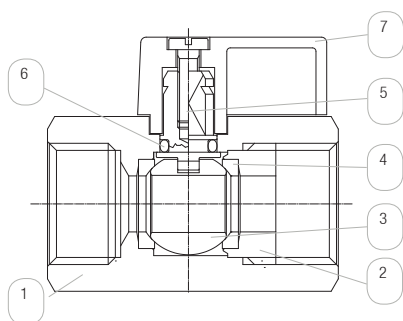
- working pressure PN10
(see pressure-temperature-diagram)
- temperature range: -10°C up to +90°C
(see pressure temperature diagram)
- hot and cold water, compressed air, oil, non-corrosive liquid, hydrocarbon

Comments:

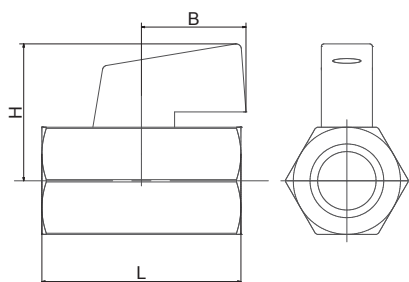
Better protection against unintended disengagement of the spindle and the sealing by a blow out protection. No accidental damage from outside possible.

Threads according to EN 228: It describes the threaded connection of a parallel male thread with a parallel female thread and is marked with "G".

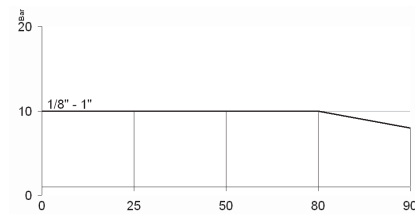
Ball valves are also available made of CW602N - **resistant against zinc abstracting media** (e.g. chlorine water). A design for **screwdriver operation** is available as well.



pos.	part	standard material		optional material
1	body	CW617N chromium plated	F	CW602N
2	connector	CW614N		CW602N
3	ball	CW614N chromium plated	F	CW602N
4	seat sealing	PTFE	T	-
5	spindle	CW614N nickel plated		CW602N
6	o-ring	NBR	B	-
7	handle	plastics (nylon)		-



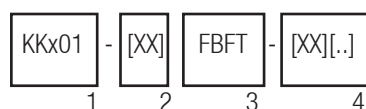
****CV value:** The nominal flow rate CVs acc. to VDI/VDE 2173 shows the water quantity in cubic meter per hour with the valve fully opened, $\Delta p=1$ and the water temperature between 5°C and 30°C.



match code	size [inch]	no-minal pressure	no-minal size [mm]	L [mm]		H [mm]	B [mm]	thread depth [mm]	CV [m³/h]	weight [kg]	
				KKA01	KKB01					KKA01	KKB01
KKx01-01FBFT	1/8	PN10	6	39	39	27	22	9	n/a	0.09	0.08
KKx01-02FBFT	1/4	PN10	8	39	39	27	22	9	4	0.09	0.08
KKx01-03FBFT	3/8	PN10	8	42	40	27	22	9	2.7	0.09	0.08
KKx01-04FBFT	1/2	PN10	10	47	45	29	22	10.5	5.5	0.13	0.11
KKx01-05FBFT	3/4	PN10	12	54	51	31.5	22	13.5	n/a	0.19	0.16
KKx01-06FBFT	1	PN10	17.5	66	62.5	35	22	15	n/a	0.25	0.21

Pressure temperature diagram

The pressure temperature diagram refers to the ball valve of this type. If your application has strong temperature variations, you may need additional options like a relief well, to meet the figures. Please tell us your temperature variations with your order.



Order information:

1: type:

- KKA01 (female thread)
- KKB01 (female -male thread)

2: connection size: 01-06 (see table)

3: materials:

- 1. digit: body material (brass chromium-plated)
- 2. digit: sealing for spindle (NBR)

- 3. digit: ball material (brass chromium-plated)
- 4. digit: seat sealing (PTFE)

4: options: none

Please ask for field specifications that are not listed in this data sheet.

Before installation please consider the installation and maintenance manual, especially the safety indications!