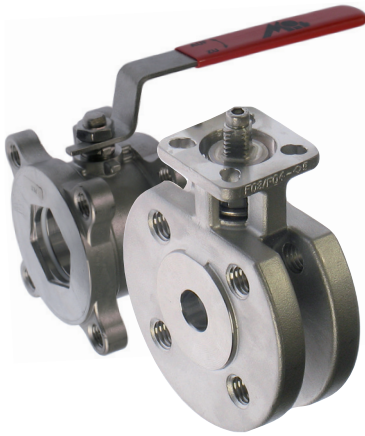


## 2-WAY COMPACT BALL VALVE, MANUALLY OPERATED AND WITH MOUNTING FLANGE (ECO)

**Description:**

- 2-way ball valve
- compact design
- full passageway up to DN100
- flange acc. to EN1092 -1 / PN40 and PN16
- KFA25: stainless steel hand lever
- KFA23: free spindle / automatable with top flange acc. to EN ISO 5211
- blow out safe, spindle mounted from inside
- any installation position
- minimal clearance volume design (KFA25)
- 2 spot antistatic device (KFA23)

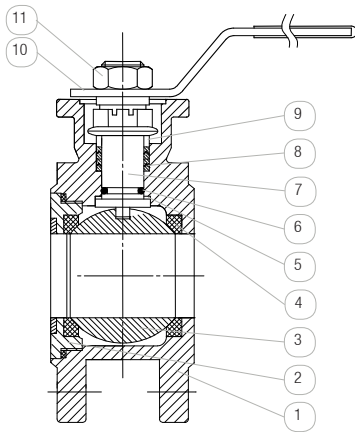
**Range of application:**

- economical ball valve with flanges with optimized use of body material
- compact design for space-saving installation
- working pressure PN16 - PN40 (see pressure-temperature-diagram)
- temperature range: -10°C up to +200°C (see pressure temperature diagram)

**Comments:**

KFA25 is the economical manually operated type. KFA23 can be directly automated.

Cast steel design (KFA23) is available on request. Automation of size DN200 on request.



pos.	part	standard material		optional material	
1	body	1.4408	0	KFA23: 1.0619	K
2	connector	1.4408		KFA23: 1.0619	
3	ball	1.4401	0	-	
4	seat sealing	PTFE - fibre glass reinforced	G	-	
5	thrust ring	PTFE		-	
6	o-ring	FKM		-	
7	spindle	1.4401		-	
8	packing for spindle	PTFE	T	-	
9	gland	1.4301		-	
10	nut	1.4301		-	
11	handle	1.4301		-	

**options:**

- SV: spindle extension
- EB: relief well
- OF: free of oil and grease
- ZG: certificate 3.1
- TD: minimal clearance volume with half shells (KFA23)

**For electric actuated valves only:**

- AP: accumulator security pack
- PT: potentiometer
- PO: positioning system

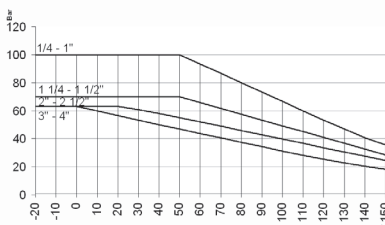
**For pneumatic actuated valves only:**

- SD: sound absorber
- AD: exhaust air regulator
- PV: pilot valve For details see data sheet "GMV3197", "GMV3163" (3/2 way) and "MVA01" (5/2 way). Other types on request.
- PS: positioning indicator For details see data sheet "MCM2" (mechanical), "MCN2" (inductive, with ATEX 94/9/EC) and "MCS2" (inductive). Other types on request.

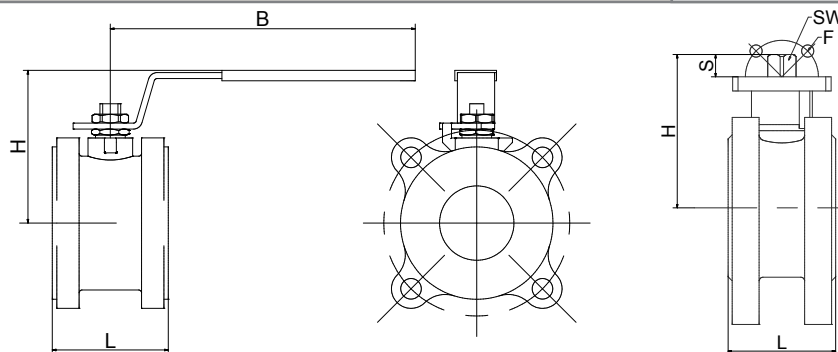
An overview of the complete material code you can find at the beginning of each product section of the product catalogue.

**Pressure temperature diagram**

The pressure temperature diagram refers to the ball valve of this type. For the actuated units the actuator limits the permissible pressure range to the operating pressure as indicated above, as long as this is lower than the pressure range of the ball valve. If your application has strong temperature variations, you may need additional options like a relief well, to meet the figures. Please tell us your temperature variations with your order.



## 2-WAY COMPACT BALL VALVE, MANUALLY OPERATED AND WITH MOUNTING FLANGE (ECO)



match code	size	nominal pressure	nominal size [mm]	L [mm]	H [mm]	B [mm]	F	SW*	S	breakaway torque*** [Nm]	CV** [m³/h]	weight [kg]
KFA25-52-30TOG	DN15	PN40	15	40	63	133	-	-	-	-	19.4	0.7
KFA25-53-30TOG	DN20	PN40	20	44	72	133	-	-	-	-	45.6	1
KFA25-54-30TOG	DN25	PN40	25	53	76	133	-	-	-	-	71.5	1.35
KFA25-55-30TOG	DN32	PN40	32	58.4	86	228	-	-	-	-	105	2.1
KFA25-56-30TOG	DN40	PN40	38	62	91	228	-	-	-	-	170	2.45
KFA25-57-30TOG	DN50	PN40	50	78	98	228	-	-	-	-	275	3.45
KFA25-58-10TOG	DN65	PN16	64	100	148	315	-	-	-	-	507	6.25
KFA25-59-10TOG	DN80	PN16	76	120	160	315	-	-	-	-	905	10.05
KFA25-60-10TOG	DN100	PN16	96	152	180	315	-	-	-	-	1414	15.95
KFA23-52-3xTOG	DN15	PN40	15	40	68	-	F03 / F04	9	9	10	-	-
KFA23-53-3xTOG	DN20	PN40	20	44	75,3	-	F03 / F04	9	9	13	-	-
KFA23-54-3xTOG	DN25	PN40	25	53	75,6	-	F04 / F05	11	11,5	17	-	-
KFA23-55-3xTOG	DN32	PN40	32	58,4	81,2	-	F04 / F05	11	11,5	24	-	-
KFA23-56-3xTOG	DN40	PN40	38	62	93,3	-	F05 / F07	14	15	35	-	-
KFA23-57-3xTOG	DN50	PN40	50	78	100,5	-	F05 / F07	14	15	54	-	-
KFA23-58-1xTOG	DN65	PN16	64	100	122	-	F07	17	17	85	-	-
KFA23-59-1xTOG	DN80	PN16	76	120	140	-	F07	17	17	117	-	-
KFA23-60-1xTOG	DN100	PN16	96	152	153	-	F07 / F12	22	22	148	-	-
KFA23-61-1xTOG	DN125	PN16	114	180	193,5	-	F10 / F12	27	36	-	-	-
KFA23-62-1xTOG	DN150	PN16	135	215	208,5	-	F10 / F12	27	36	-	-	-

\* Spindle as square.

\*\*CV value: The nominal flow rate CVs acc. to VDI/VDE 2173 shows the water quantity in cubic meter per hour with the valve fully opened,  $\Delta p=1$  and the water temperature between 5°C and 30°C.

\*\*\*Breakaway torque: all data is determined with water at max  $\Delta p$  and normal ambient temperature. Multiplier for frictional media is 1.3. If your configuration has special sealing material or your application has critical media consultation is obligatory.

[X]	KFA2X	- [XX]	[XX]TOG	- [X]	[XX]
1	2	3	4	5	6

#### Order information:

##### 1: automation:

- no specification: hand lever (KFA25)
- D: pneumatic double acting (KFA23)
- S: pneumatic single acting (KFA23)
- E: electric actuated (KFA23)

##### 2: type:

- KFA25: manually operated
- KFA23: automated

##### 3: connection size: 52-63 (see table)

##### 4: materials:

- 1. digit: pressure rating
- 2. digit: body material
- 0 = stainless steel

K = cast steel

- 3. digit: sealing for spindle  
T = PTFE
- 4. digit: ball material  
0 = stainless steel (V4A)
- 5. digit: seat sealing  
T = PTFE - fibre glass reinforced

##### 5: actuator:

- no specification: hand lever (KFA25)  
free spindle (KFA25)
- automated: see column "actuator" (KFA23)

##### 6: options (see "options")

Please ask for field specifications that are not listed in this data sheet.

Before installation please consider the installation and maintenance manual, especially the safety indications!

**DKFA23 / SKFA23**

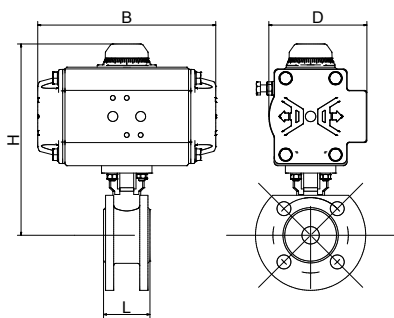
High quality pneumatic actuator made of alloy with air connection according to NAMUR and positioning indicator. The actuator works with the rack/bevel method. For further details see the technical data sheet "DR/SC".

Types double acting (the actuator opens and closes with compressed air) and single acting (the actuator opens with compressed air and closes with spring pressure).

The actuators are configured for use with fluid, gas and antifriction medium. **For critical media it is strictly recommended to inform us!**

**Description:**

- working pressure: 0 - 16 bar
- medium temperature: -20°C up to +100°C
- pilot pressure: 6 - 8 bar
- (at max. ambient temperature 40°C)



**Attention!** To avoid corrosion inside the spring chamber for single acting actuators caused by aggressive ambient air we recommend pilot valves with integrated air recirculation.

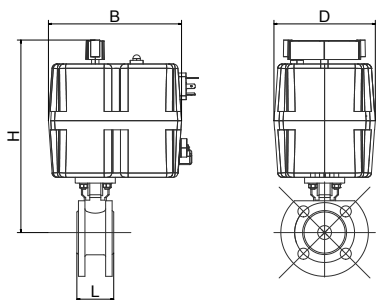
match code	double acting: DKFA23					single acting: SKFA23				
	actuator	H [mm]	B [mm]	D [mm]	weight [kg]	actuator	H [mm]	B [mm]	D [mm]	weight [kg]
xKFA23-52-3xTOG-	DR010	146	118	62	2.25	SC030-G	165	153.3	84.5	3.3
xKFA23-53-3xTOG-	DR015	153,3	136	72	3.1	SC030-I	158,3	153.3	84.5	3.8
xKFA23-54-3xTOG-	DR015	153,6	136	72	3.6	SC030-K	169,6	153.3	84.5	4.3
xKFA23-55-3xTOG-	DR030	175,2	153.5	84.5	5.3	SC060-H	192,2	203.5	93	6.8
xKFA23-56-3xTOG-	DR060	198,3	203.5	93	7	SC060-K	198,3	203.5	93	7.4
xKFA23-57-3xTOG-	DR060	207,5	203.5	93	8.9	SC100-J	220,5	241	106	10.5
xKFA23-58-1xTOG-	DR100	240	241	106	13.7	SC220-H	280	304	136	19.3
xKFA23-59-1xTOG-	DR150	270	259	118	19.6	SC220-K	298	304	136	23.7
xKFA23-60-1xTOG-	DR220	307	304	136	28.6	SC300-I	319	333	146.5	32.6
xKFA23-61-1xTOG-	DR450	364,5	394.5	166	n/a	SC600-J	383,5	474	200	n/a
xKFA23-52-3xTOG-	DR450	379,5	394.5	166	n/a	SC600-J	398,5	474	200	n/a

**EKFA23:**

High-quality electric actuator in compact design with a body made of high-strength plastics. It has a high-performance motor and a gear drive made of metal. A central control room heater and an electronic torque limiter are equipped as standard. For further details see the technical data sheet "J".

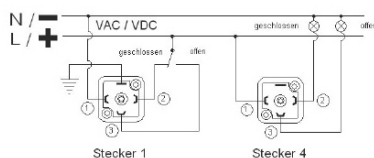
**Description:**

- working pressure: 0 - 16 bar
- medium temperature: -20°C up to +70°C (at max. ambient temperature of 40°C)



match code	actuator	H [mm]	B [mm]	D [mm]	weight [kg]
EKFA23-52-3xTOG-	J210	186,5	169	104	2.25
EKFA23-53-3xTOG-	J320	213,3	177	110	3.5
EKFA23-54-3xTOG-	J320	213,6	177	110	4
EKFA23-55-3xTOG-	J335	241,2	177	110	5.4
EKFA23-56-3xTOG-	J355	272,3	177	110	6.6
EKFA23-57-3xTOG-	J355	281,5	177	110	8.5
EKFA23-58-1xTOG-	J385	301	177	110	12.8
EKFA23-59-1xTOG-	J2140	377	235	214	19.6
EKFA23-60-1xTOG-	J2140	386	235	214	25.8
EKFA23-61-1xTOG-	CH350	531,5	338	229	n/a
EKFA23-62-1xTOG-	CH350	546,5	338	229	n/a

AC/DC Beschaltung  
(3 Draht):

**connection voltage type:**

- 19: 24V AC/DC up to 240V AC/DC
- other voltages on request