

2-WAY BALL VALVE, MANUALLY OPERATED (REDUCED NOMINAL SIZE)

**Description:**

- 2-way ball valve
- 1-pieces body construction
- reduced passageway
- female thread acc. to EN 10226
- short length of body
- blow out safe, spindle mounted from inside
- stainless steel hand lever
- any installation position

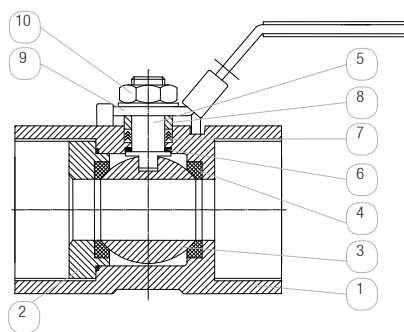
Range of application:

- working pressure PN63
(see pressure-temperature-diagram)
- temperature range: -10°C up to +200°C
(see pressure temperature diagram)

Comments:

Better protection against unintended disengagement of the spindle and the sealing by a blow out protection. No accidental damage from outside possible.

Threads according to EN 10226: It describes the threaded connection of a conical male thread (R) with a parallel female thread (Rp).

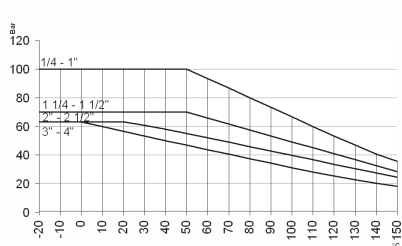


pos.	part	standard material		optional material	
1	body	1.4408	0	-	
2	connector	1.4408		-	
3	ball	1.4401	0	-	
4	seat sealing	PTFE	T	-	
5	spindle	1.4401		-	
6	thrust ring	PTFE		-	
7	sealing for spindle	PTFE	T	-	
8	gland	1.4301		-	
9	handle	1.4301 with plastic coating		-	
10	nut	1.4301		-	
	lock device	-		-	1.4301

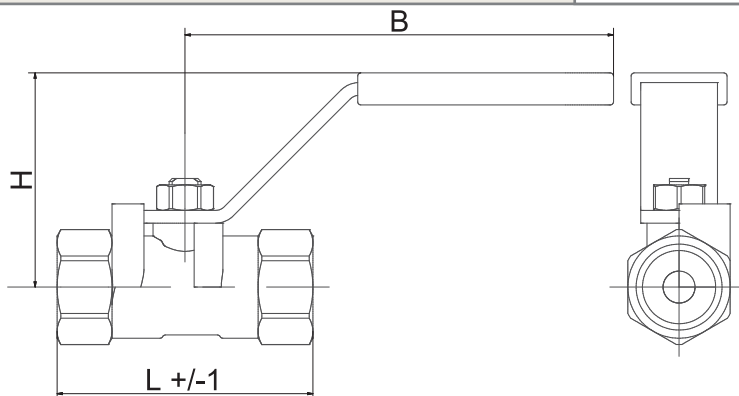
For details about the order code see "Order information". An overview of the complete material code you can find at the beginning of each product section of the product catalogue.

Options:

- SV: spindle extension
- EB: relief well
- LD: lock device
- ZG: certificate 3.1

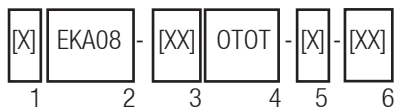
**Pressure temperature diagram**

The pressure temperature diagram refers to the ball valve of this type. If your application has strong temperature variations, you may need additional options like a relief well, to meet the figures. Please tell us your temperature variations with your order.



match code	size [inch]	nominal pressure	nominal size [mm]	L [mm]	H [mm]	B [mm]	CV* [m³/h]	weight [kg]
EKA08-020TOT	1/4	PN63	5	39	32.5	70	-	0.065
EKA08-030TOT	3/8	PN63	7	44	34.5	70	-	0.1
EKA08-040TOT	1/2	PN63	9.2	56.5	43.5	90	-	0.15
EKA08-050TOT	3/4	PN63	12.5	58	47	90	-	0.3
EKA08-060TOT	1	PN63	16	71	55	110	-	0.4
EKA08-070TOT	1 1/4	PN63	20	78	60.5	110	-	0.7
EKA08-080TOT	1 1/2	PN63	25.4	83	74.5	140	-	0.8
EKA08-090TOT	2	PN63	32	100	80.5	140	-	1.3

****CV value:** The nominal flow rate CVs acc. to VDI/VDE 2173 shows the water quantity in cubic meter per hour with the valve fully opened, $\Delta p=1$ and the water temperature between 5°C and 30°C.



Order information:

1: automation:

- no specification: manually operated

2: type: EKA08

3: connection size: 02-09 (see table)

4: materials:

- 1. digit: body material
- 2. digit: sealing for spindle
- 3. digit: ball material
- 4. digit: seat sealing

5: actuator:

- only manually operated (no specification)

6: options (see "options")

Please ask for field specifications that are not listed in this data sheet.

Before installation please consider the installation and maintenance manual, especially the safety indications!