

**Description:**

- 2-pieces body construction
- heavy-weight design
- full passageway
- female thread acc. to EN 10226
- blow out safe, spindle mounted from inside
- EKA05: stainless steel hand lever  
EKA35: for automation with top flange
- any installation position
- lock device

**Comments:**

EKA05/EKA35: The EKA05 is the economical type of EKA35 without mounting flange for manual applications. Optionally the EKA35 is available with free spindle.

Better protection against unintended disengagement of the spindle and the sealing by a blow out protection. No accidental damage from outside possible.

Optionally a type with DVGW certificate is also available (on request).

**Threads according to EN 10226:** It describes the threaded connection of a conical male thread (R) with a parallel female thread (Rp).

pos.	part	standard material		optional material
1	body	1.4408	0	-
2	connector	1.4408	-	-
3	ball	1.4401	-	-
4	seat sealing	PTFE	T	-
5	spindle	1.4401	0	-
6	thrust ring	PTFE	-	-
7	packing for spindle	PTFE	T	-
8	gland	1.4301	-	-
9	handle	1.4301 with plastic coating	-	-
10	nut	1.4301	-	-

**Options:**

- SV: spindle extension
  - EB: relief well
  - OF: free of oil and grease
  - ZG: certificate 3.1
  - PS: positioning indicator
  - PO: positioning system
- For details see data sheet „MCM2“ (mechanical), „MCN2“ (inductive, with ATEX 94/9/EC) and „MCS2“ (inductive).

**For electric actuated valves only:**

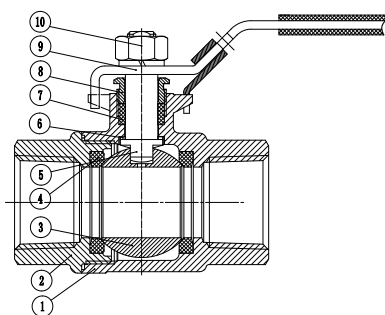
- AP: accumulator security pack
- PT: Potentiometer

**For pneumatic actuated valves only:**

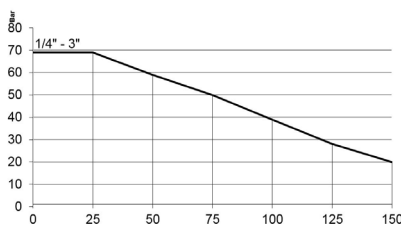
- SD: sound absorber
  - AD: exhaust air regulator
  - PV: pilot valve
- For details see data sheet "GMV3197", "GMV3163" (3/2 way) and "MVA01" (5/2 way). Other types on request.

**Pressure temperature diagram**

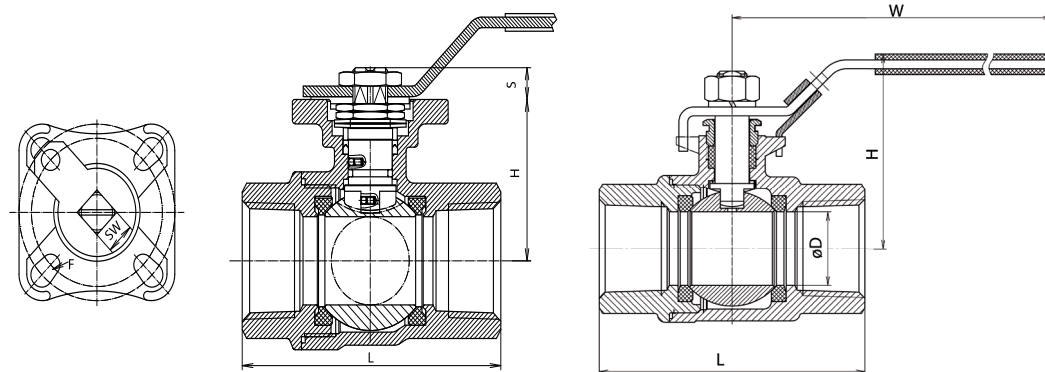
The pressure temperature diagram refers to the ball valve of this type. For the actuated units the actuator limits the permissible pressure range to the operating pressure as indicated above, as long as this is lower than the pressure range of the ball valve. If your application has strong temperature variations, you may need additional options like a relief well, to meet the figures. Please tell us your temperature variations with your order.



Notes on the order code, see the end of the data sheet. An overview of the entire material of a key product group, see the catalog at the beginning of each chapter.



## 2-WAY BALL VALVE, MANUALLY OPERATED AND FOR AUTOMATION

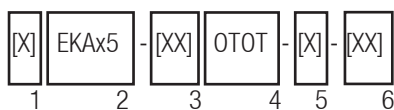


match code	size [inch]	no- minal pres- sure	no- minal size [mm]	CV** [m <sup>3</sup> /h]	type EKA05 (manually operated)				type EKA35 (free spindle, automatable)						
					L [mm]	H [mm]	B [mm]	weight [kg]	L [mm]	H [mm]	F	SW**	S	breakaway torque [Nm]***	weight [kg]
EKAx5-04-OTOT	1/2	PN63	16	19.4	68	53	125.5	0.4	62.8	35	F03 / F04	9	7.5	10	0.3
EKAx5-05-OTOT	3/4	PN63	20	45.6	76	64	125.5	0.5	65.4	40	F04 / F05	11	12	14	0.5
EKAx5-06-OTOT	1	PN63	25	71.5	88	66	143.5	0.9	75.2	43	F04 / F05	11	12	17	0.6
EKAx5-07-OTOT	1 1/4	PN63	32	105	98	79	143.5	1.6	87.3	50	F04 / F05	11	11	24	1
EKAx5-08-OTOT	1 1/2	PN63	38	170	120	83	203.5	2.3	95	53	F04 / F05	11	12	29	1.4
EKAx5-09-OTOT	2	PN63	50.8	275	134	94	203.5	3.6	111.3	65	F05 / F07	14	15.5	44	2.5
EKAx5-10-OTOT	2 1/2	PN63	65	507	164	136	250	7.2	185	93	F07	17	18	78	5.1
EKAx5-11-OTOT	3	PN63	80	905	181	149	250	10.8	205	95	F07	17	18	112	7.5

\*CV value: The nominal flow rate CVs acc. to VDI/VDE 2173 shows the water quantity in cubic meter per hour with the valve fully opened,  $\Delta p=1$  and the water temperature between 5°C and 30°C.

\*\* Spindle as square (standard).

\*\*\*Breakaway torque: all data is determined with water at max  $\Delta p$  and normal ambient temperature. Multiplier for frictional media is 1.3. If your configuration has special sealing material or your application has critical media consultation is obligatory.

**Order information:****1: automation**

- no specification:  
EKA05: manually operated  
EKA35: free spindle
- D: pneumatic double acting
- S: pneumatic single acting
- E: electric actuated

**2: type:**

- EKA05 (manually operated)
- EKA35 (automated)

**3: connection size: 02-11 (see table)****4: materials:**

- 1. digit: body material (stainless steel)
- 2. digit: sealing for spindle (PTFE)
- 3. digit: ball material (stainless steel)
- 4. digit: seat sealing (PTFE)

**5: actuator:**

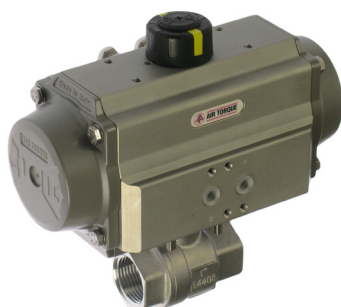
- no specification:  
EKA05: stainless steel hand lever  
EKA35: free spindle
- automated: see column "actuator" (only EKA35)

**6: options (see "options")**

Please ask for field specifications that are not listed in this data sheet.

Before installation please consider the installation and maintenance manual, especially the safety indications!

## 2-WAY BALL VALVE, MANUALLY OPERATED AND FOR AUTOMATION



## DEKA35 / SEKA35

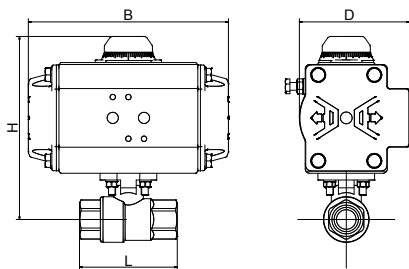
High quality pneumatic actuator made of alloy with air connection according to NAMUR and positioning indicator. The actuator works with the rack/bevel method. For further details see the technical data sheet "DR/SC".

Types double acting (the actuator opens and closes with compressed air) and single acting (the actuator opens with compressed air and closes with spring pressure).

The actuators are configured for use with fluid, gas and antifriction medium. **For critical media it is strictly recommended to inform us!**

## Description:

- working pressure: 0 - 16 bar
- pilot pressure: 6 - 8 bar
- medium temperature: -10°C up to +100°C (at max. ambient temperature +40°C)



**Attention!** To avoid corrosion inside the spring chamber for single acting actuators caused by aggressive ambient air we recommend pilot valves with integrated air recirculation.

match code	double acting: DEKA35					single acting: SEKA35				
	actuator	H [mm]	B [mm]	D [mm]	weight [kg]	actuator	H [mm]	B [mm]	D [mm]	weight [kg]
xEKA35-040TOT-	DR010	121	118	62	1.05	SC030-G	140	153.5	84.5	-
xEKA35-050TOT-	DR015	129	136	72	1.5	SC030-I	145	153.5	84.5	2.2
xEKA35-060TOT-	DR015	132	136	72	1.6	SC030-K	148	153.5	84.5	2.3
xEKA35-070TOT-	DR030	155	153.5	84.5	2.6	SC060-I	172	203.5	93	4.1
xEKA35-080TOT-	DR030	158	153.5	84.5	3	SC060-J	175	203.5	93	4.5
xEKA35-090TOT-	DR060	187	203.5	93	5.2	SC100-I	200	241	106	6.8
xEKA35-100TOT-	DR100	228	241	106	8.8	SC150-K	240	259	118	11.2
xEKA35-110TOT-	DR150	242	259	118	12.7	SC220-K	270	304	136	16.8

## EEKA35

High-quality electric actuator in compact design with a body made of high-strength plastics. It has a high-performance motor and a gear drive made of metal. A central control room heater and an electronic torque limiter are equipped as standard. For further details see the technical data sheet "J".

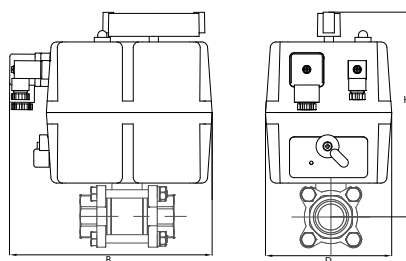
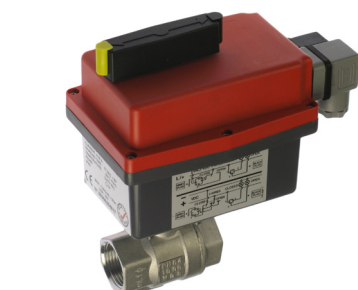
## Description:

- working pressure: 0 - 16 bar
- medium temperature: -10°C up to +70°C (at max. ambient temperature of +40°C)

match code	actuator	H [mm]	B [mm]	D [mm]	weight [kg]
EEKA35-040TOT-	J210	161.5	169	104	1.05
EEKA35-050TOT-	J320	189	177	110	1.9
EEKA35-060TOT-	J320	192	177	110	2
EEKA35-070TOT-	J335	221	177	110	2.7
EEKA35-080TOT-	J335	224	177	110	3.1
EEKA35-090TOT-	J355	261	177	110	4.8
EEKA35-100TOT-	J385	289	177	110	7.9
EEKA35-110TOT-	J2140	359	235	214	12.7

## connection voltage type:

- 19: 24V AC/DC up to 240V AC/ DC
- other voltages on request

AC/DC Beschaltung  
(3 Draht):