

3-PCS. BALL VALVE, MANUALLY OPERATED AND WITH MOUNTING FLANGE FOR AUTOMATION

**Description:**

- 2-way stainless steel ball valve
- 3-pieces body construction
- full passageway
- female thread acc. to EN 10226
- DKA04: stainless steel hand lever
DKA05: automatable with top flange acct. to EN ISO 5211
- length of body acc. to DIN 3202
- blow out safe, spindle mounted from inside
- any installation position

Range of application:

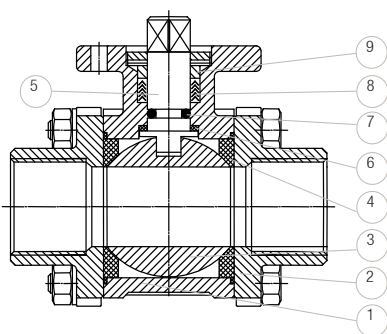
- standardized length of body allows easy replacement in existing applications
- demounting of the center piece without dismounting the valve from the pipeline is possible
- top flange for direct mounting (DKA05)
- working pressure PN63 (see pressure-temperature-diagram)
- temperature range: -10°C up to +200°C (see pressure temperature diagram)

Comments:

Ball valve for manually operated (DKA04) and automated (DKA05) applications.

Blow out protection: Better protection against unintended disengagement of the spindle and the sealing by a blow out protection. No accidental damage possible from outside.

Threads according to EN 10226: It describes the threaded connection of a conical male thread (R) with a parallel female thread (Rp).



pos.	part	standard material	optional material	
1	body	1.4408	0	-
2	connector	1.4408	-	-
3	ball	1.4401	-	-
4	seat sealing	PTFE	T	PP
5	spindle	1.4401	0	-
6	thrust ring	PTFE	-	-
7	o-ring	FKM	-	-
8	packing for spindle	PTFE	T	PP
9	gland	1.4301	-	-
10	hand lever (only DKA04, not illustrated)	1.4301 with plastic coating	-	-
11	nut (only DKA04, not illustrated)	1.4301	-	-

For details about the order code see "Order information". An overview of the complete material code you can find at the beginning of each product section of the product catalogue.

* **Other medium temperature** for optional sealing:

- PP from -10°C up to max. +60°C

options:

- SV: spindle extension
- ZG: certificate
- OF: free of oil and grease
- SF: free of silicone
- ASL: extended welding ends
- LD: lock device
- AS: welding ends

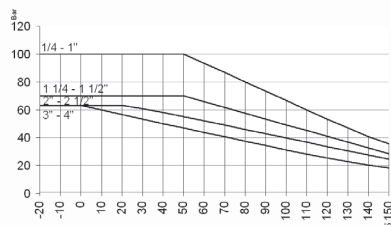
For electric actuated valves only:

- AP: accumulator security pack
- PT: potentiometer
- PO: positioning system

For pneumatic actuated valves only:

- SD: sound absorber
- AD: exhaust air regulator
- PV: pilot valve For details see data sheet "GMV3197", "GMV3163" (3/2 way) and "MVA01" (5/2 way). Other types on request.
- PS: positioning indicator

For details see data sheet "MCM2" (mechanical), "MCN2" (inductive, with ATEX 94/9/EC) and "MCS2" (inductive). Other types on request.

**Pressure temperature diagram**

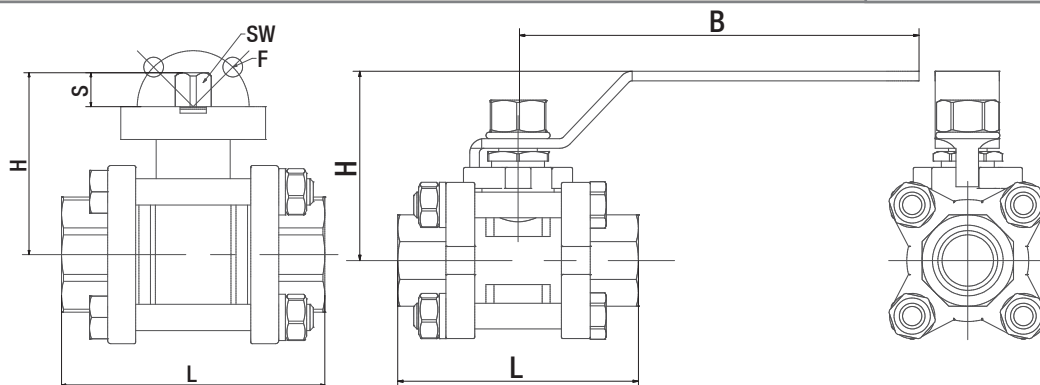
The pressure temperature diagram refers to the ball valve of this type. For the actuated units the actuator limits the permissible pressure range to the operating pressure as indicated above, as long as this is lower than the pressure range of the ball valve. If your application has strong temperature variations, you may need additional options like a relief well, to meet the figures. Please tell us your temperature variations with your order.

3-PCS. BALL VALVE, MANUALLY OPERATED AND WITH MOUNTING FLANGE FOR AUTOMATION

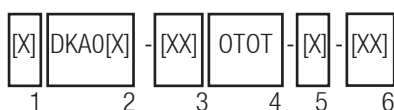
* Spindle as square (standard).

**CV value: The nominal flow rate CVs acc. to VDI/VDE 2173 shows the water quantity in cubic meter per hour with the valve fully opened, $\Delta p=1$ and the water temperature between 5°C and 30°C.

***Breakaway torque: all data is determined with water at max Δp and normal ambient temperature. Multiplier for frictional media is 1.3. If your configuration has special sealing material or your application has critical media consultation is obligatory.



match code	size [inch]				no-nominal pressure	no-nominal size [mm]	L [mm]		H [mm]	B [mm]	F [mm]	SW* [mm]	S [mm]	CV** [m³/h]	breakaway torque*** [Nm]	weight [kg]
	G	type	AS	type			G	AS								
DKA04-xx-OTOT	1/4	02	DN8	20	PN63	11.6	60	65	55	97.5	-	-	-	5.9	-	0.35
DKA04-xx-OTOT	3/8	03	DN10	21	PN63	12.7	60	70	55	97.5	-	-	-	9.4	-	0.4
DKA04-xx-OTOT	1/2	04	DN15	22	PN63	16	75	75	64	125.5	-	-	-	19.4	-	0.65
DKA04-xx-OTOT	3/4	05	DN20	23	PN63	20	80	90	67	125.5	-	-	-	45.6	-	0.8
DKA04-xx-OTOT	1	06	DN25	24	PN63	25	90	100	83	143.5	-	-	-	71.5	-	1.2
DKA04-xx-OTOT	1 1/4	07	DN32	25	PN63	32	110	110	89	143.5	-	-	-	105	-	1.95
DKA04-xx-OTOT	1 1/2	08	DN40	26	PN63	38.1	120	125	100	203.5	-	-	-	170	-	2.75
DKA04-xx-OTOT	2	09	DN50	27	PN63	50.8	140	150	108	203.5	-	-	-	275	-	4.5
DKA04-xx-OTOT	2 1/2	10	DN65	28	PN63	65	185	190	150	251.5	-	-	-	507	-	8.9
DKA04-xx-OTOT	3	11	DN80	29	PN63	80	205	220	161	251.5	-	-	-	905	-	12.9
DKA04-xx-OTOT	4	12	DN100	30	PN63	100	240	270	180	291.5	-	-	-	1414	-	22.5
DKA05-xx-OTOT	1/4	02	DN8	20	PN63	10	65	70	33	-	F03/F04	9	7	5.9	6	0.35
DKA05-xx-OTOT	3/8	03	DN10	21	PN63	12	65	70	33	-	F03/F04	9	7	9.4	6	0.4
DKA05-xx-OTOT	1/2	04	DN15	22	PN63	16	75	75	33	-	F03/F04	9	7	19.4	10	0.65
DKA05-xx-OTOT	3/4	05	DN20	23	PN63	20	80	90	35	-	F03/F04	9	9	45.6	14	0.8
DKA05-xx-OTOT	1	06	DN25	24	PN63	25	90	100	40	-	F04/F05	11	12	71.5	17	1.2
DKA05-xx-OTOT	1 1/4	07	DN32	25	PN63	32	110	110	46	-	F04/F05	11	12	105	24	1.95
DKA05-xx-OTOT	1 1/2	08	DN40	26	PN63	40	120	125	52	-	F05/F07	14	16	170	29	2.75
DKA05-xx-OTOT	2	09	DN50	27	PN63	50	140	150	61	-	F05/F07	14	16	275	44	4.5
DKA05-xx-OTOT	2 1/2	10	DN65	28	PN63	65	185	190	79	-	F07/F10	17	19	507	78	8.9
DKA05-xx-OTOT	3	11	DN80	29	PN63	80	205	220	91	-	F07/F10	17	19	905	112	12.9
DKA05-xx-OTOT	4	12	DN100	30	PN63	100	240	270	114	-	F10	22	24	1414	140	22.5



Order information:

1: automation:

- no specification: manually operated (DKA04)
free spindle (DKA05)
- D: pneumatic double acting
- S: pneumatic single acting
- E: electric actuated

2: type: DKA04 / DKA05

3: connection size: (see table)

- 02-12 (thread = G),
- 20-30 (welding ends = AS)

4: materials:

- 1. digit: body material (stainless steel)
- 2. digit: sealing for spindle (PTFE)
- 3. digit: ball material (stainless steel)
- 4. digit: seat sealing (PTFE)

5: actuator:

- no specification: manually operated (DKA04)
free spindle (DKA05)
- automated: see column "actuator" (only DKA05)

6: options (see "options")

Please ask for field specifications that are not listed in this data sheet.

Before installation please consider the installation and maintenance manual, especially the safety indications!

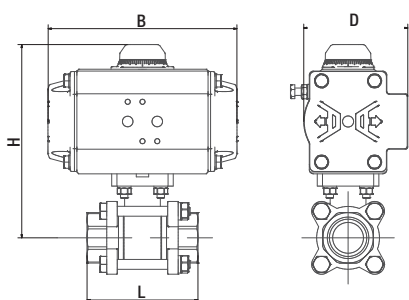


DDKA05 / SDKA05

High quality pneumatic actuator made of alloy with air connection according to NAMUR and positioning indicator. The actuator works with the rack/bevel method. For further details see the technical data sheet "DR/SC". Types double acting (the actuator opens and closes with compressed air) and single acting (the actuator opens with compressed air and closes with spring pressure). The actuators are configured for use with fluid, gas and antifriction medium. **For critical media it is strictly recommended to inform us!**

Description:

- working pressure: 0 - 16 bar
- pilot pressure: 6 - 8 bar
- medium temperature: -10°C up to +100°C (at max. ambient temperature 40°C)



Attention! To avoid corrosion inside the spring chamber for single acting actuators caused by aggressive ambient air we recommend pilot valves with integrated air recirculation.

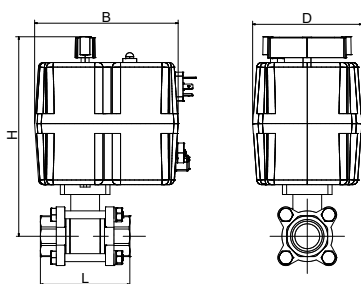
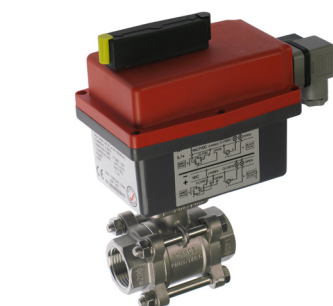
match code	double acting: DDKA05							single acting: SDKA05				
	G	AS	actua-tor	H [mm]	B [mm]	D [mm]	weight [kg]	actua-tor	H [mm]	B [mm]	D [mm]	weight [kg]
xDKA05-xxOTOT-	02	20	DR010	119	118	62	1.35	SC015-G	122	136	62	1.5
xDKA05-xxOTOT-	03	21	DR010	119	118	62	1.35	SC015-G	122	136	62	1.5
xDKA05-xxOTOT-	04	22	DR010	119	118	62	1.35	SC030-G	138	153.5	84.5	2.4
xDKA05-xxOTOT-	05	23	DR015	124	136	72	1.8	SC030-H	140	153.5	84.5	2.5
xDKA05-xxOTOT-	06	24	DR015	129	136	72	2.2	SC030-J	145	153.5	84.5	2.9
xDKA05-xxOTOT-	07	25	DR030	151	153.5	84.5	3.4	SC060-H	168	203.5	93	4.9
xDKA05-xxOTOT-	08	26	DR030	157	153.5	84.5	4.3	SC060-J	174	203.5	93	5.8
xDKA05-xxOTOT-	09	27	DR060	183	203.5	93	7.1	SC100-I	196	241	106	8.7
xDKA05-xxOTOT-	10	28	DR100	214	241	106	12.9	SC150-K	226	259	118	10.1
xDKA05-xxOTOT-	11	29	DR100	226	241	106	17.6	SC220-K	266	304	136	23.2
xDKA05-xxOTOT-	12	30	DR150	261	259	118	27.3	SC300-K	301	333	146.5	34.1

EDKA05

High-quality electric actuator in compact design with a body made of high-strength plastics. It has a high-performance motor and a gear drive made of metal. A central control room heater and an electronic torque limiter are equipped as standard. For further details see the technical data sheet "J". The actuators are configured for use with fluid, gas and antifriction medium. For critical media it is strictly recommended to inform us!

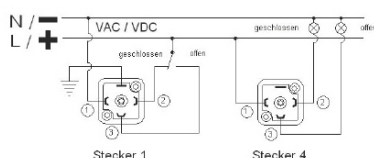
Description:

- working pressure: 0 - 16 bar
- medium temperature: -10°C up to +70°C (at max. ambient temperature of 40°C)



match code	G	AS	actuator	H [mm]	B [mm]	D [mm]	weight [kg]
EDKA05-xxOTOT-	02	20	J210	159.5	169	104	1.35
EDKA05-xxOTOT-	03	21	J210	159.5	169	104	1.35
EDKA05-xxOTOT-	04	22	J210	159.5	169	104	1.35
EDKA05-xxOTOT-	05	23	J420	184	177	110	2.2
EDKA05-xxOTOT-	06	24	J420	189	177	110	2.6
EDKA05-xxOTOT-	07	25	J435	217	177	110	3.5
EDKA05-xxOTOT-	08	26	J435	223	177	110	4.4
EDKA05-xxOTOT-	09	27	J455	257	177	110	6.7
EDKA05-xxOTOT-	10	28	J485	275	177	110	12
EDKA05-xxOTOT-	11	29	J2140	355	235	214	19.1
EDKA05-xxOTOT-	12	30	J2140	378	235	214	27.3

AC/DC Beschaltung
(3 Draht):



connection voltage type:

- 19: 24V AC/DC up to 240V AC/DC
- other voltages on request