

2-WAY BALL VALVE WITH HOSE NOZZLE



Description:

- 3-pieces body construction
- female thread acc. to ISO 228
- hose nozzle
- blow out safe, spindle mounted from inside
- alloy hand lever

Range of application:

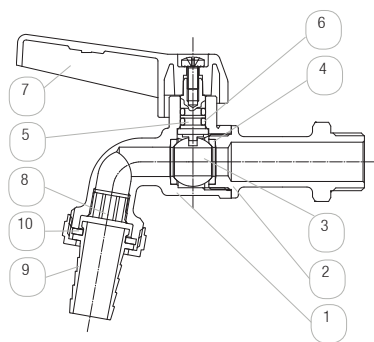
- working pressure PN16
(see pressure-temperature-diagram)
- temperature range: -5°C up to +90°C
(see pressure temperature diagram)
- hot and cold water, compressed air, oil, non-corrosive liquid, benzene

Comments:

Blow out protection: Better protection against unintended disengagement of the spindle and the sealing by a blow out protection. No accidental damage possible from outside.

Threads according to EN 228: It describes the threaded connection of a parallel male thread with a parallel female thread and is marked with "G".

Alternatively threads acc. to ISO 228 and NPT are possible.

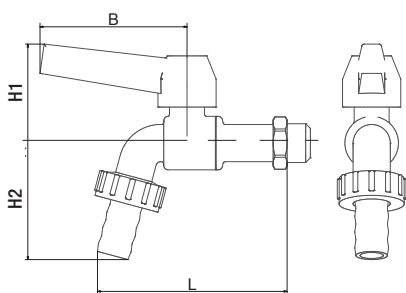


pos.	part	standard material		optional material
1	body	CW617N nickel plated	E	-
2	connector	CW617N nickel plated	-	-
3	ball	CW614N chromium plated	F	-
4	seat sealing	PTFE	T	-
5	spindle	CW614N	-	-
6	o-ring	NBR	B	-
7	hand lever	alloy	-	-
8	beam regulation	polyethylene resin	-	-
9	hose support	CW617N nickel plated	-	-
10	sealing	NBR	-	-
11	cap nut	CW617N nickel plated	-	-

options:

- AU: outlet nozzle

An overview of the entire material of a key product group, see the catalog at the beginning of each chapter.

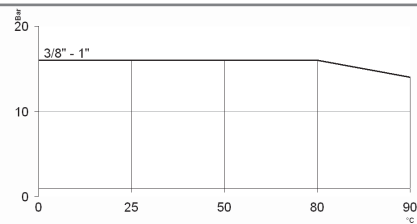


match code	size [inch]	no- minal pres- sure	nominal size [mm]	L [mm]	H1 [mm]	H2 [mm]	B [mm]	spout [mm]	CV [m ³ /h]	weight [kg]
AKA01-03EBFT	3/8	PN16	10	95	44.5	50	63	14.5	n/a	0.18
AKA01-04EBFT	1/2	PN16	10	108	45.5	57	63	16	1.9	0.27
AKA01-05EBFT	3/4	PN16	12.5	122	47.5	65	63	19.5	3.1	0.37
AKA01-06EBFT	1	PN16	17.5	152	46.5	79	95	27	n/a	0.58

CV value: The nominal flow rate CVs acc. to VDI/VDE 2173 shows the water quantity in cubic meter per hour with the valve fully opened, $\Delta p=1$ and the water temperature between 5°C and 30°C.

Pressure temperature diagram

The pressure temperature diagram refers to the ball valve of this type. If your application has strong temperature variations, you may need additional options like a relief well, to meet the figures. Please tell us your temperature variations with your order.



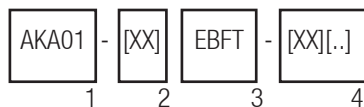
Order information:

1: type: AKA01

2: connection size: 03-06 (see table)

3: material (see table)

4: options (see "options")



Please ask for field specifications that are not listed in this data sheet. Before installation please consider the installation and maintenance manual, especially the safety indications!