

PRESSURE REDUCING VALVE

**Description:**

- Independent of upstream pressure
- outlet pressure adjustable
- female thread acc. to ISO 228

Range of application:

- pressure control
- constant, defined pressure on the outlet side
- heating and plumbing applications
- max. medium temperature: max. +80°C

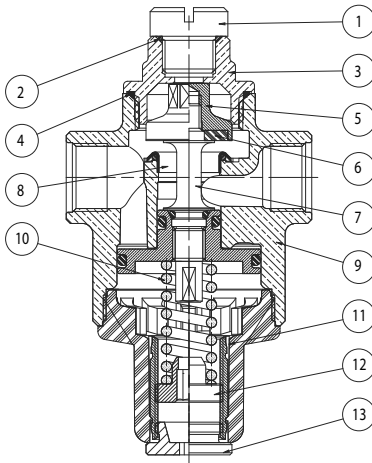
Comments:

Threads according to EN 228: It describes the threaded connection of a parallel male thread with a parallel female thread and is marked with "G". Optionally the DMG04 is available with male-male thread.

Connection size up to 4" on request. A type with maximum inlet pressure of 25bar and a setting range of 0,8bar up to 7bar is also available on request.

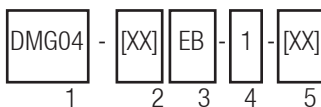
Other **pressure ranges** on request. **Flange design** on request.

Optionally with **pressure gauge** (connection G1/4", back) or with **brazed union**. Also **completely mounted with a strainer**.



pos.	part	materials	options:
9	body	brass nickel plated	E
	interior	brass	
4	sealing	NBR	B

For details about the order code see "Order information". An overview of the complete material code you can find at the beginning of each product section of the product catalogue.

**Order information:**

1: type: DMG04

2: connection size (see table): 03-12

3: materials:

- 1. digit: body material E = brass nickel plated
- 2. digit: sealing: B=NBR V=FKM

4: max. upstream pressure:

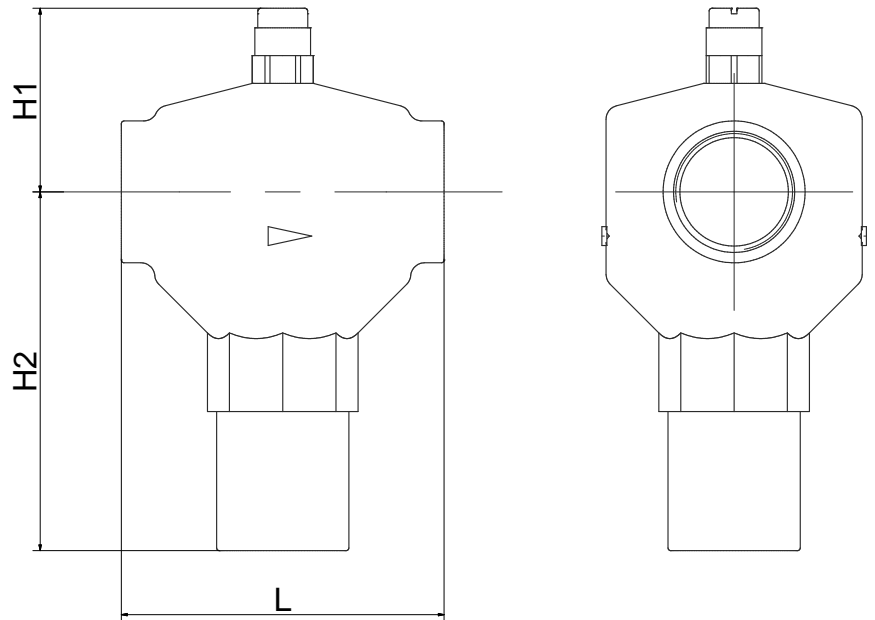
- 1: PN16
- 2: PN25

5: options: none

Please specify the required downstream pressure with your order!

Please ask for field specifications that are not listed in this data sheet.

Before installation please consider the installation and maintenance manual, especially the safety indications!



match code	connection size [inch]	upstream pressure maximum [bar]	downstream pressure setting range [bar]	L [mm]	H1 [mm]	H2 [mm]	B [mm]	weight [kg]
DMG04-03EB-1	3/8	15	0.5 - 7	60	41.5	89	47	0.66
DMG04-04EB-1	1/2	15	0.5 - 7	60	41.5	89	47	0.65
DMG04-05EB-1	3/4"	15	0.5 - 7	60	41.5	89	47	0.7
DMG04-06EB-1	1	15	0.5 - 7	86	60.5	91.5	61	1.1
DMG04-07EB-1	1 1/4	15	0.5 - 7	91	64.5	93	61	1.35
DMG04-08EB-1	1 1/2	15	0.5 - 7	91	64.5	98	61	1.4
DMG04-09EB-1	2	15	0.5 - 7	91	69.5	101	61	1.5
DMG04-04EB-2	1/2	25	0.8 - 5.5	95	58.5	97	78	1.4
DMG04-05EB-2	3/4	25	0.8 - 5.5	95	58.5	97	78	1.4
DMG04-06EB-2	1	25	0.8 - 5.5	95	64.5	101.5	78	1.65
DMG04-07EB-2	1 1/4	25	0.8 - 7	116	68.5	165	92.5	2.7
DMG04-08EB-2	1 1/2	25	0.8 - 7	122	73	175	92.5	2.9
DMG04-09EB-2	2	25	0.8 - 7	126	73	175	92.5	3.1
DMG04-10EB-2	2 1/2	25	0.8 - 7	180	103	274.5	186	13.12
DMG04-11EB-2	3	25	0.8 - 7	188	103	274.5	186	n/a
DMG04-12EB-2	4	25	0.8 - 7	202	103	274.5	186	14.3