

PRESSURE REDUCING VALVE



Description:

- independent of upstream pressure
- with fully relieved single seat valve
- downstream pressure adjustable
- male thread acc. to DIN EN 10226
- integrated strainer
- mesh size: 1/2" up to 1 1/4": 0,6mm
1 1/2" up to 2": 0,75mm
- DVGW tested

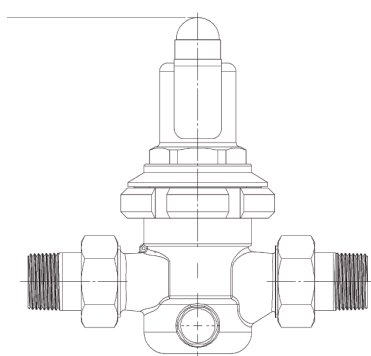
Range of application:

- Water up to 95°C, neutral and non-adhesive fluids, compressed air, neutral gases
- for pressure control
- constant, defined pressure on the outlet side
- rugged design with an integrated strainer against slightly contaminated media

Comments:

Other **pressure ranges** on request.

Optionally with **pressure gauge** (connection G1/4", rear).



pos.	part	red brass	options		
1	body	CC499K	B 1.4408	0	
2	interior	CC499K, 1.4404	A 1.4404	0	
3	sealing	EPDM	E		
		FKM	V		

spare parts

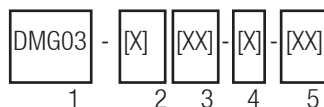
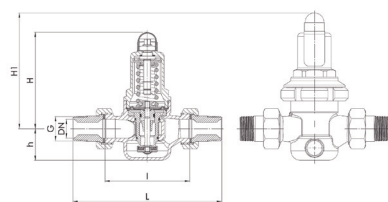
- complete valve core

options:

- other pressure ranges
- flange design
- pressure gauge (connection G1/4", rear)
- brazed union
- ZG: DVGW, ACS, WRAS, EAC, SINTEF

For details about the order code see "Order information". An overview of the complete material code you can find at the beginning of each product section of the product catalogue.

match code	connection size [inch]	upstream pressure maximum [bar]	downstream pressure setting range [bar]	L [mm]	H1 [mm]	H2 [mm]	weight [kg]
DMG03-04-Bx-x	1/2	40	1 - 8	142	102	128	1,2
DMG03-05-Bx-x	3/4	40	1 - 8	158	102	128	1,3
DMG03-06-Bx-x	1	40	1 - 8	180	130	150	2,4
DMG03-07-Bx-x	1 1/4	40	1 - 8	193	130	150	2,6
DMG03-08-Bx-x	1 1/2	40	1 - 8	226	165	185	5,5
DMG03-09-Bx-x	2	40	1 - 8	252	165	185	6,0



Classification society

Germanischer Lloyd	GL
Lloyd's Register EMEA	LR EMEA
American Bureau of Shipping	ABS
Bureau Veritas	BV
Russian Maritime Register of Shipping	RS

Order information:

1: type: DMG03

2: connection size (see table): 04-10

3: materials:

- 1. digit: body material
B = red brass
0 = stainless steel
- 2. digit: sealing:
B = EPDM
V = FKM

4. max. upstream pressure: 2 = PN25, 3 = PN40

5: options: ZG: DVGW, ACS, WRAS, EAC, SINTEF

Please specify when ordering the required downstream pressure!

Please ask for field specifications that are not listed in this data sheet.

Before installation please consider the installation and maintenance manual, especially the safety indications!